

## EHT Wire Clamp for TV Monitors



**Novoflex EHT Wire Clamps** are designed to protect EHT wires from heat specially in TVs and Monitors. Its primary function is to keep high voltage wires away from other components. The flexible leg design eases wire insertion and the secondary leg surrounding the wire allows for a positive fit.

**Material:** Nylon 6. Resistant to Fungus, Corrosion, and most mild acids.

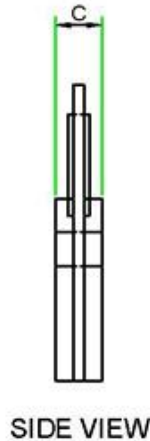
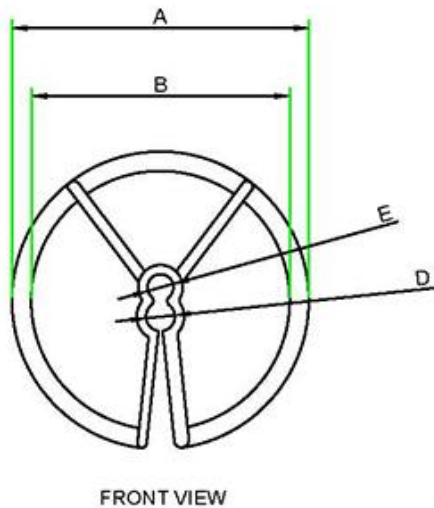
**Flammability Rating:** UL94 V-2

**Standard Colour:** Natural White.

**Operating Temperature:** -25° C to +85° C.

**Storage Conditions:** To be stored in a cool, dark, dry place away from sunlight in a sealed condition.

**Example Applications:** Consumer Durables, Computers & Networking.



### NOVOFLEX - EHT Wire Clamp for TV Monitors

Novoflex Part No.	Outside Dia (A) - mm	Inside Dia (B) - mm	Thickness (C) - mm	Hole Dia (D) - mm	Lock Hole Dia (E) - mm	Standard Packing (Nos.)
EHTC 1	49	42.6	7.5	4.9	4	100