

Fire Retardant Adhesive Backed Cable Tie Mounts



Novoflex Fire Retardant Adhesive Backed Tie Mounts are used to anchor wire bundles or cables to walls, ceilings, plates, panels, or any other structure. No tool is required for installation. Simply place the Adhesive-Backed Mount on the desired surface, and secure the cables with Cable-Ties.

The Continuous-Straight Pull Load is 1Kg/square inch (25.4mm) of adhesive.

Material: Nylon 6 (Polyamide). Resistant to Fungus, Corrosion, and most mild acids.

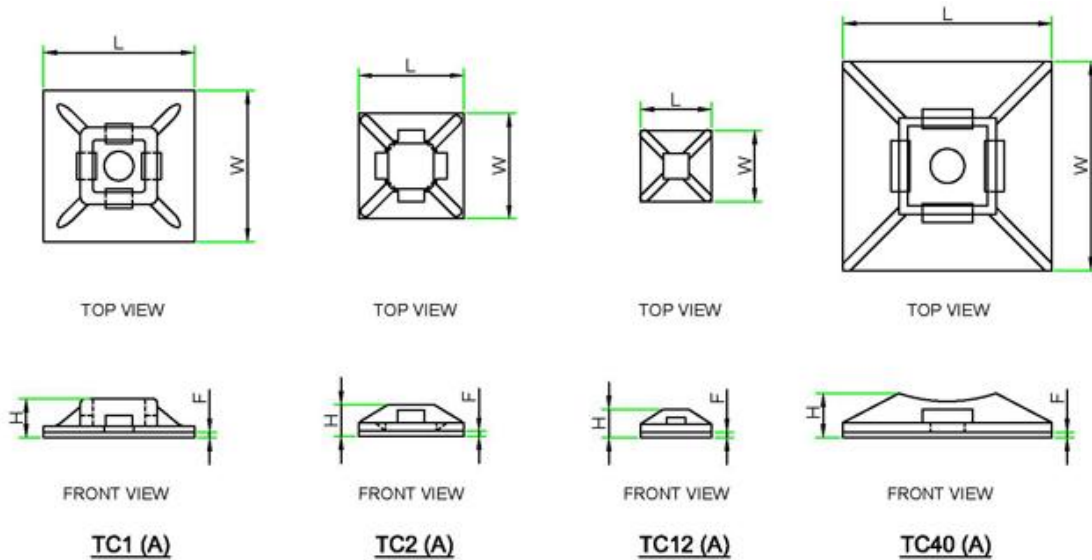
Flammability Rating: UL94 V-0

Standard Colour: Natural White.

Operating Temperature: Upto 52°C

Storage Conditions: To be stored in a cool, dark, dry place away from sunlight in a sealed condition.

Example Applications: Telecoms equipment, switchgear and control cabinets.



NOVOFLEX - Fire Retardant Adhesive Backed Cable Tie Mounts

Novoflex Part Number	Length (L) mm	Width (W) mm	Height (H) mm	Foam Thickness (F) mm	Max. Cable Tie Width - mm
TC 1 (A) FR	28	28	6.1	0.8	6
TC 2 (A) FR	19	19	5.8	0.8	5.2
TC 12 (A) FR	13.4	13.4	5.1	0.8	3.3
TC 40 (A) FR	40	40	7.2	0.8	9.5