

PCB Ejector CBE 5



Novoflex PCB Ejector CBE 5 is designed for use with most standard sheet metal card cage systems and can be used with virtually all major card support systems. It is attached by means of rivets to cards of 1.6 mm thickness and operate by lever action against card guide or mounting bar-providing both easy insertion & removal.

Material: **Nylon 6 (Polyamide)**. Resistant to Fungus, Corrosion, and most mild acids.

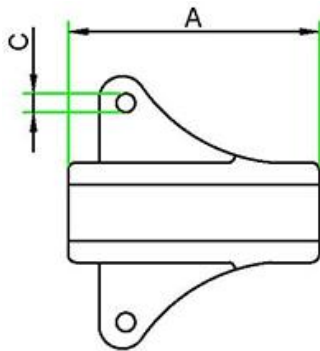
Flammability Rating: **UL94 V-2**

Standard Colour: Natural White.

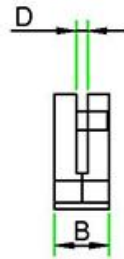
Operating Temperature: -25° C to +85° C.

Storage Conditions: To be stored in a cool, dark, dry place away from sunlight in a sealed condition.

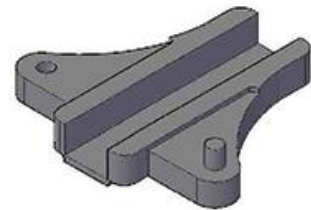
Example Applications: Automobiles, Railways, Aviation, Power Plants, Telecom, Consumer Durables, Retail Stores, Computers & Networking, Electric Metering, Electronics, Control Panels and many more.



TOP VIEW



CLOSED VIEW



ISOMETRIC VIEW



FRONT VIEW



SIDE VIEW

NOVOFLEX - PCB Ejector CBE 5

Novoflex Part No.	Length (A) - mm	Width (B) - mm	PCB Hole Dia (C)- mm	PCB Thickness (D)- mm	Standard Packing (Nos.)
CBE 5	32.2	34.9	2.4	1.8	100