

PCB Puller



Novoflex PCB Puller is designed to allow close mounting of PCB as is required in high density packaging. It snaps into two 3.2 diameter pre-drilled holes, 1.6 mm thick PCB without the aid of pins or rivets. Its curved tab provides fingertip grip for board insertion and removal.

Material: **Nylon 6 (Polyamide)**. Resistant to Fungus, Corrosion, and most mild acids.

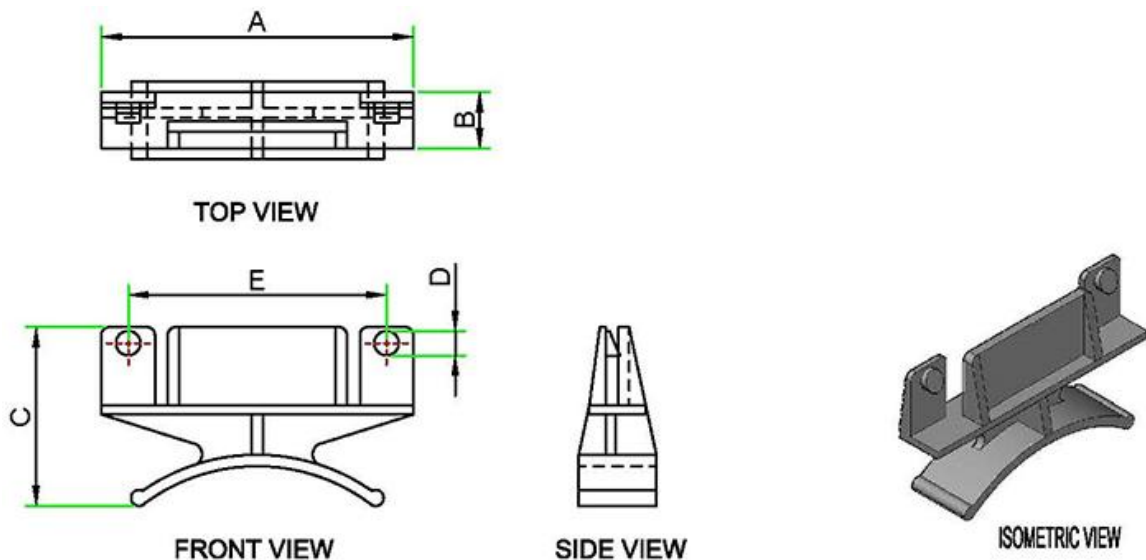
Flammability Rating: **UL94 V-2**

Standard Colour: Natural White.

Operating Temperature: -25° C to +85° C.

Storage Conditions: To be stored in a cool, dark, dry place away from sunlight in a sealed condition.

Example Applications: Automobiles, Railways, Aviation, Power Plants, Telecom, Consumer Durables, Retail Stores, Computers & Networking, Electric Metering, Electronics, Control Panels and many more.



NOVOFLEX - PCB Puller

Novoflex Part No.	Length (A) - mm	Width (B) - mm	Height (C)- mm	PCB Hole Dia (D)- mm	PCB Hole Center Distance (E)- mm	Standard Packing (Nos.)
CBP 1	38.1	7.1	22.1	3.2	31	100