

## Screw Mount Tube PCB Support



Novoflex Screw Mount Tube PCB Support are designed for secure and quick installation of PCBs with self tapping screw on chassis side and push fit on PCB side. This also prevents any lateral board movement. The PCB mount head locks and releases. They are non-magnetic and non-corrosive. It is available in 3 standard spacing heights.

**Material:** Nylon 6 (Polyamide). Resistant to Fungus, Corrosion, and most mild acids.

**Tolerance:**  $\pm 0.50$  mm.

**Flammability Rating:** UL94 V-2

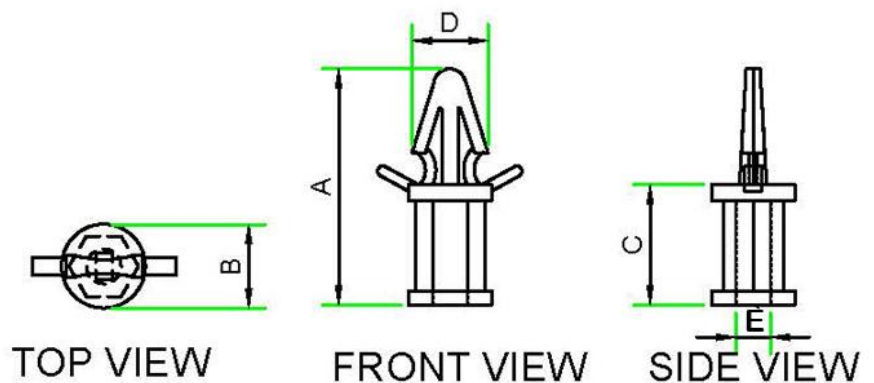
**Standard Colour:** Natural White.

**Continuous Operating Temperature:**  $-25^{\circ}$  C to  $+85^{\circ}$  C.

**Intermittent Operating Temperature:**  $+115^{\circ}$  C.

**Storage Conditions:** To be stored in a cool, dark, dry place away from sunlight in a sealed condition.

**Example Applications:** Automobiles, Railways, Aviation, Power Plants, Telecom, Consumer Durables, Retail Stores, Electric Metering, Electronics, Control Panels and many more.



**NOVOFLEX - Screw Mount Tube PCB Support**

Novoflex Part No.	Length (A) - mm	Width (B) - mm	Spacing Length (C) - mm	Push Hole Dia (D) - mm	Hole Dia (E) - mm	Standard Packing (Nos.)
PCBM 48	14.5	6.5	4.8	4	3.2	100
PCBM 95	18.3	6.5	9.5	4	3.2	100
PCBM 127	22.2	6.5	12.7	4	3.2	100

