

Self Adhesive Twist Clip



Novoflex Self Adhesive Twist Clip is designed to lift wires and keep them away from hot components on the board. The adhesive backed clip is installed quickly and wires can easily be routed or rerouted.

Material: Nylon 6 (Polyamide)

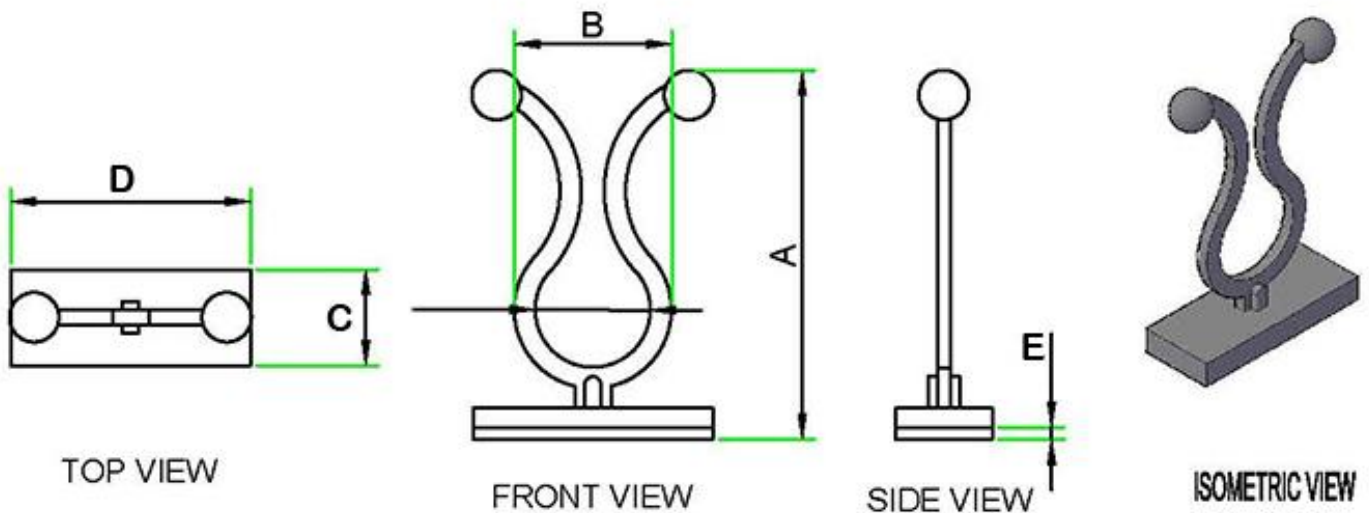
Flammability Rating: UL94 V-2, Resistant to Fungus, Corrosion and most mild acids.

Standard Colour : Natural White

Operating Temperature : -25° C to +85° C

Storage Conditions : To be stored in a cool, dark, dry place away from sunlight in a sealed condition.

Example Applications : Automobiles, Railways, Aviation, Couriers & Logistics, Ship Building, Pharmaceutical & Drugs, Chemicals & Dyes, Power Plants, Telecom, Consumer Durables, Retail Stores, Computers & Networking, Food Processing, Electric Metering, Electronics, Control Panels, New Project Installations, Domestic Use and many more.



NOVOFLEX - Stand Off Twist Clips

Novoflex Part No.	Length (A) - mm	Width (B) - mm	PAD Length (C) - mm	PAD Width (D) - mm	Foam Thickness (E) - mm	Inner Dia (G) - mm	Standard Packing (Nos.)
SKA 5	36.5	15.7	9.6	23.8	1.5	10.4	100