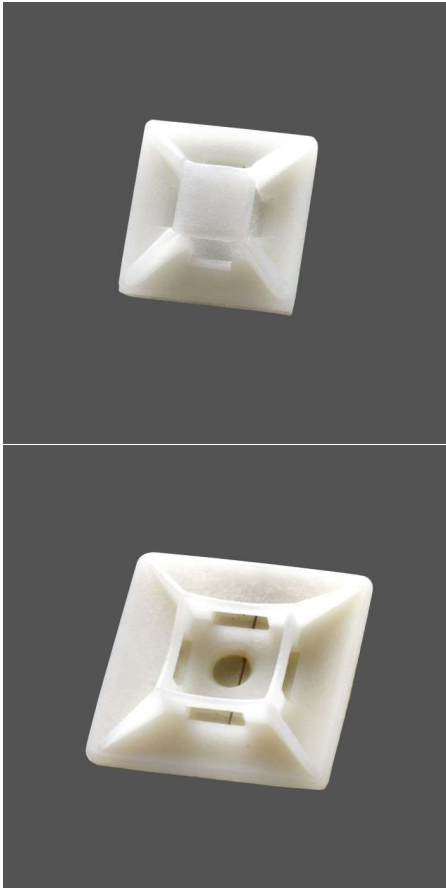


**Adhesive Backed Cable Tie Mounts**



**Novoflex Adhesive Backed Tie Mounts** are used to anchor wire bundles or cables to walls, ceilings, plates, panels, or any other structure. No tool is required for installation. Simply place the Adhesive-Backed Mount on the desired surface, and secure the cables with Cable-Ties.

The Continuous-Straight Pull Load is 1Kg/square inch (25.4mm) of adhesive.

**Material: Nylon 6 (Polyamide).** Resistant to Fungus, Corrosion and most mild acids.

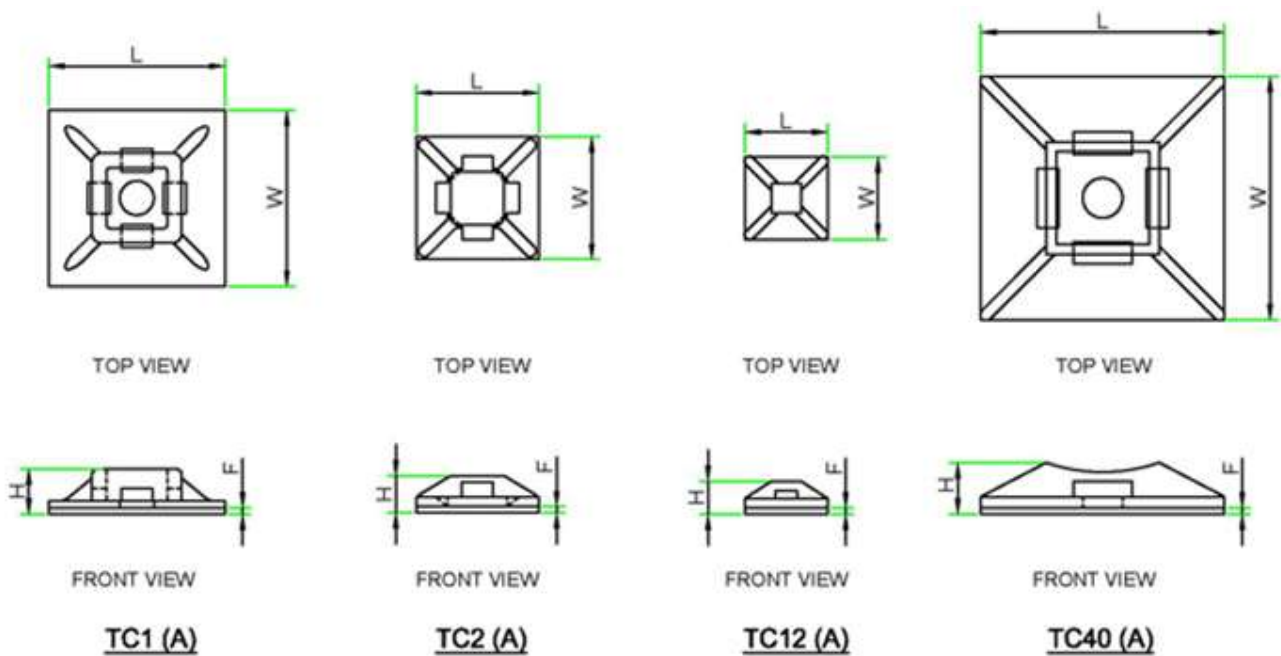
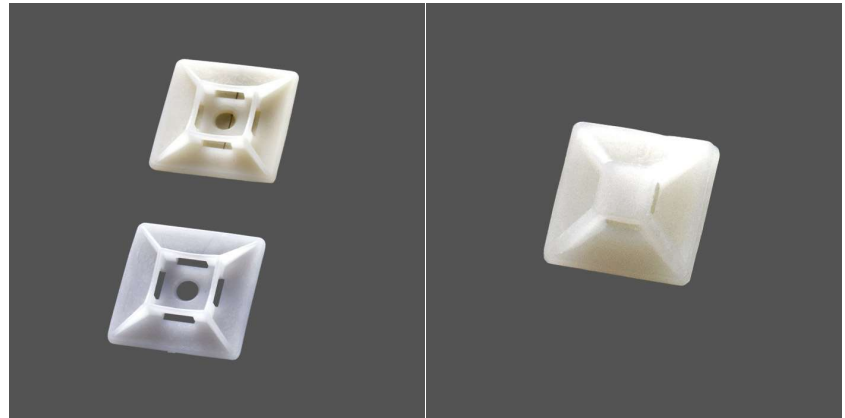
**Flammability Rating: UL94 V-2**

**Standard Colour: Natural White.**

**Operating Temperature for Adhesive: Upto 52°C.**

**Storage Conditions:** To be stored in a cool, dark, dry place away from sunlight in a sealed condition.

**Example Applications:** Telecoms equipment, switchgear and control cabinets.



**NOVOFLEX - Adhesive Backed Cable Tie Mounts**

Novoflex Part No	Length (L) - mm	Width (W) - mm	Height (H) - mm	Foam Thickness (F) - mm	Max Cable Tie Width - mm	Standard Packing (Nos.)
TC 1 (A)	28	28	5.3	0.8	6	100
TC 2 (A)	19	19	5.0	0.8	5.2	100
TC 12 (A)	13.4	13.4	4.3	0.8	4.0	100
TC 40 (A)	40	40	7.3	1.0	9.5	100