

Cable Harness Clip- Screw



Novoflex Cable Harness Screw Clip is a wire harnessing clip.
Material: Nylon 6 (Polyamide). Resistant to Fungus, Corrosion, and most mild acids.

Flammability Rating: UL94 V-2

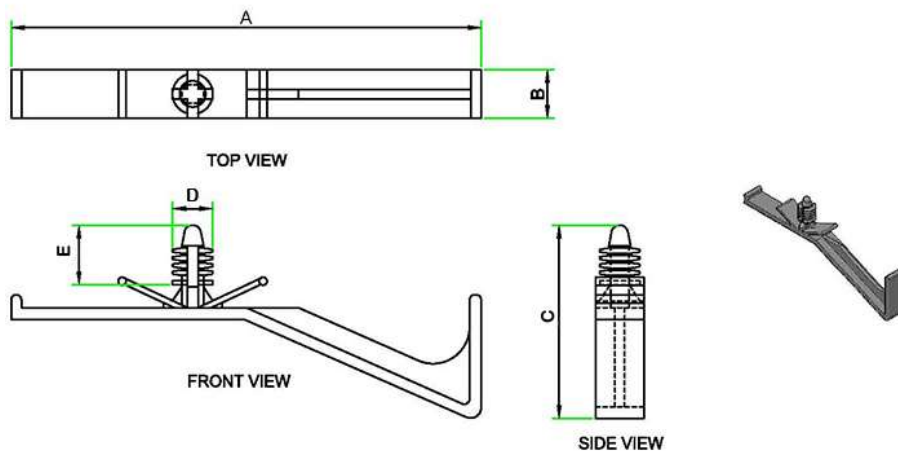
Standard Colour: Natural White.

Operating Temperature: -25° C to +85° C

Tensile Strength: High Tensile Strength provides a secure locking which will not slip, come off or slacken. Ties must be cut to be removed.

Storage Conditions: To be stored in a cool, dark, dry place away from sunlight in a sealed condition.

Example Applications: Automobiles, Railways, Aviation, Couriers & Logistics, Power Plants, Telecom, Consumer Durables, Retail Stores, Electric Metering, Electronics, Control Panels, New Project Installations and many more.



NOVOFLEX - Cable Harness Clip- Screw

Novoflex Part No.	Length (A) - mm	Width (B) - mm	Height (C) - mm	Push Hole Dia (D) - mm	Chassis Thickness (E) - mm	Standard Packing Nos.
HC 2 S	90	9.3	18	7.7	12	100