

Push Mount Wire Holders



Novoflex Push Mount Wire Holders are a novel means to channel, route, fix, anchor or harness a single or group of bundle of wires for a wide range of usage in electronic, electrical, communication and automobile industry. It can be easily snapped into drilled or punched holes of 4.8 mm diameter in a PCB or metal chassis of thickness from 0.5 mm to 2.3 mm, where it locks firmly and permanently in place.

Material: Nylon 6 (Polyamide)

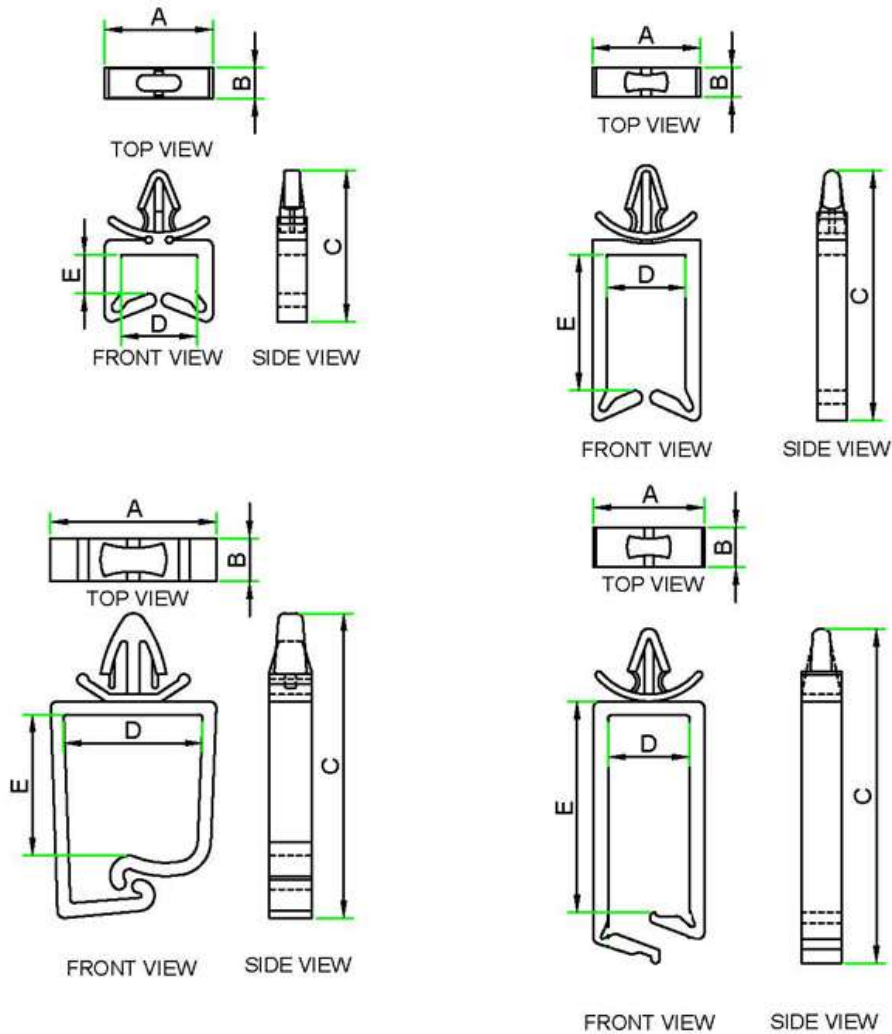
Flammability Rating: UL94 V-2, Resistant to Fungus, Corrosion, and most mild acids.

Standard Colour : Natural White and Black

Operating Temperature : -25° C to +85° C

Storage Conditions : To be stored in a cool, dark, dry place away from sunlight in a sealed condition.

Example Applications : Telecoms equipment, switchgear and control cabinets.



NOVOFLEX - Push Mount Wire Holders

Novoflex Part Number	Length A (mm)	Width B (mm)	Height C (mm)	Bundle Dia Range D (mm)	Bundle Dia Range E (mm)	Hole Dia (mm)	Standard packing
WH-5	15.5	4.4	21.6	10.9	5.3	4.7	100
WH-10	15.8	4.6	27.4	11.9	11	4.5	100
WH-19	15.5	4.2	35.8	11.1	19.3	4	100
WH-27	15.9	5.7	47.9	11.2	26.9	3.7	100
WHH-13	28.7	4.7	31.5	23.6	13.6	5.9	100
WHS-20	23.8	6.2	43.4	20.4	26.9	8	100

