

## Turn on Wire Connector



Novoflex Turn on Wire Connector makes it quick, easy and secure to connect wires together. To use turn power off before installing or removing terminal and strip wire insulation 1/2". Firmly grasp wires, making sure insulation ends are even and tightly bundled (wires may be twisted or untwisted). Slip the connector over wire tips. Turn connector onto wires in clockwise direction until secure. To remove, turn connector counter clockwise.

**Material:** Tough Thermoplastic shell with zinc plated wire spring. Resistant to Fungus, Corrosion, and most mild acids.

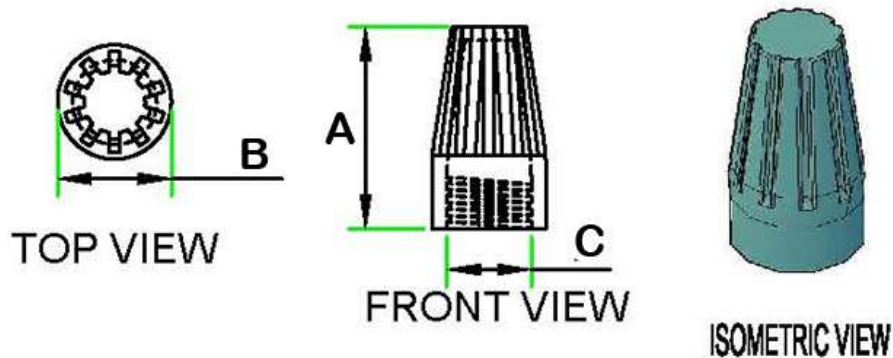
**Flammability Rating:** **UL94 V-2**

**Standard Colour :** Black / Natural White

**Operating Temperature :** **-25° C to +85° C**

**Storage Conditions :** To be stored in a cool, dark, dry place away from sunlight in a sealed condition.

**Example Applications :** Automobiles, Railways, Aviation, Couriers & Logistics, Ship Building, Pharmaceutical & Drugs, Chemicals & Dyes, Power Plants, Telecom, Consumer Durables, Retail Stores, Computers & Networking, Food Processing, Electric Metering, Electronics, Control Panels, New Project Installations, Domestic Use and many more.



### NOVOFLEX - Turn on Wire Connector

Novoflex Part No.	Length (A) - mm	Width (B) - mm	Inner Dia (C) - mm	Colour	Suggested Wire (AWG)	Standard Packing (Nos.)
TWC 01	15	8.5	6.3	Grey	22 - 16	100
TWC 02	17.6	9.9	7	Blue	20 - 16	100
TWC 03	21.8	12.5	9.7	Orange	20 - 16	100
TWC 04	21.4	14	10.8	Yellow	18 - 14	100
TWC 05	26	16.2	13	Red	14 - 10	100