

Expand Plugs



Novoflex Expand Plugs are used primarily for fastening of screws in concrete, earthen bricks, dry wall, hollow bricks, wooden structures or natural stone plates. It is a quick & secure tool for fixing screws firmly without worrying about it loosening over time. To use, drill a hole in the surface, drive in the Expand Plug and drive in the screw in a clockwise direction. The plug will expand into the surface due to the screw and provide a secure and firm grip. The additional fins prevent the expand plugs from being pulled out or loosening over time.

Material: Nylon 6. Resistant to Fungus, Corrosion, and most mild acids.

Flammability Rating: UL94 V2.

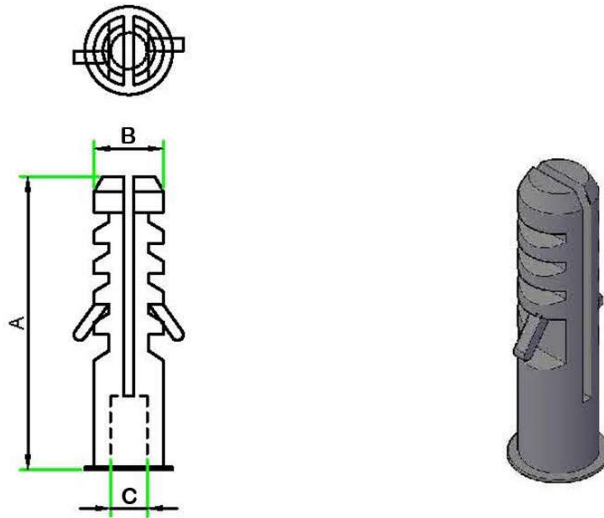
Standard Colour: Natural White.

Operating Temperature: -25° C to +85° C.

Halogen Free: Yes.

Storage Conditions: To be stored in a cool, dark, dry place away from sunlight in a sealed condition.

Example Applications: New Project Installations, Domestic Use and many more.



NOVOFLEX - Expand Plugs

Novoflex Part No.	Length (A) - mm	Outside Dia (B) - mm	Inside Dia (C) - mm	Standard Packing (Nos.)
EP 6	31	6	4.8	100
EP 8	40	8	6	100
EP 10	45	10	7.5	100
EP 12	48	12	6.5	100